

# City of Oklahoma City Paving Cut Request

DATE: \_\_\_\_\_

LOCATION: \_\_\_\_\_

CONTRACTOR: \_\_\_\_\_

CONTACT NAME: \_\_\_\_\_

PHONE: \_\_\_\_\_

REASON FOR CUTTING: \_\_\_\_\_

SIZE OF CUT: \_\_\_\_\_ SIZE OF REPAIR: \_\_\_\_\_

**(Note: See page 2 for repair specifications)**

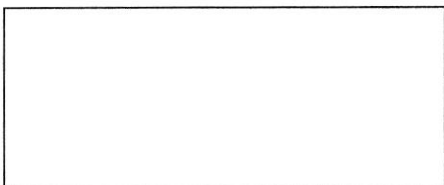
TRAFFIC CONTROL DEVICES SHALL BE PROVIDED BY: \_\_\_\_\_

## CONDITIONS FOR PERMIT:

- 1. OPEN ALL TRAFFIC LANES FROM 7:00 TO 9:00A.M. AND 4:00 TO 6:00P.M.
- 2. COVER OPENINGS WITH STEEL PLATES WHEN NOT WORKING AT THE SITE.
- 3. CONTACT FIELD SERVICES @ 297-3571 48 HOURS PRIOR TO STARTING WORK TO SCHEDULE INSPECTIONS.
- 4. TRAFFIC CONTROL DEVICES SHALL CONFORM TO THE M.U.T.C.D.
- 5. CONTACT TRAFFIC MANAGEMENT @ 297-2531 FOR LANE CLOSURE AND/OR SIGNAL LOCATES 2 WORKING DAYS PRIOR TO STARTING WORK.
- 6. LOCATE AND PROTECT ALL UTILITIES, PUBLIC AND PRIVATE.
- 7. WORK TO MEET CITY STANDARDS FOR [ ] CONCRETE [ ] ASPHALT SURFACE.
- 8. \_\_\_\_\_

APPROVED: \_\_\_\_\_

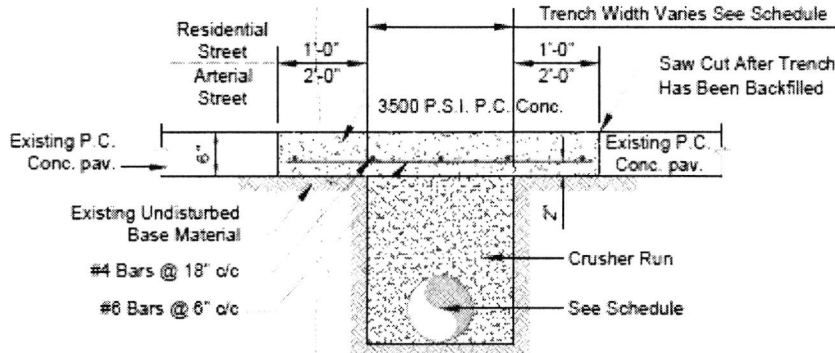
ENGINEERING SUPPORT SECTION



Reference #E \_\_\_\_\_

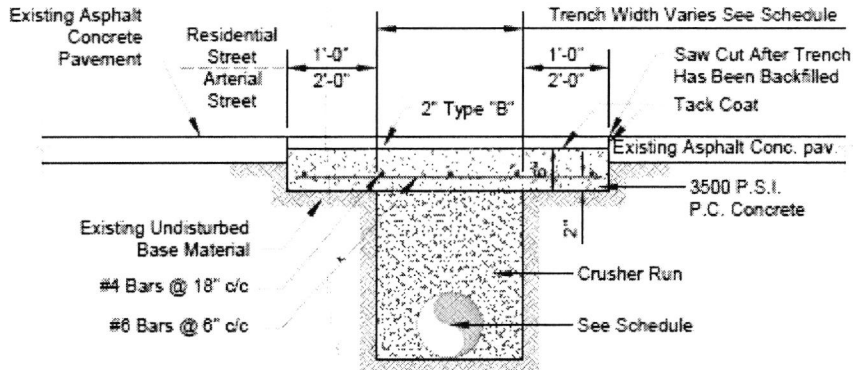
AS

## PAVING CUT & REPAIR DETAIL



NOTES: Street less than 30' in width shall be repaired with a 6" min. thickness of P.C. concrete. Street over 30' in width shall be repaired with 8" min. thickness of P.C. concrete. Full Panel Replacement Downtown.

### TYPICAL PERMANENT REPAIR SECTION FOR P.C. CONC. PAVING



NOTES: All construction and materials shall be in accordance with Oklahoma City's Standard Specification or Pavements and Appurtenances.

### TYPICAL PERMANENT REPAIR SECTION FOR ASPHALT CONC. PAVING

| TRENCH WIDTH SCHEDULE      |            |            |            |            |            |
|----------------------------|------------|------------|------------|------------|------------|
| PIPE SIZE I.D.             | 12" & LESS | 15" TO 21" | 24" TO 30" | 33" TO 54" | 60" & OVER |
| TRENCH WIDTH (W/O SHORING) | 24"        | O.D. + 12" | O.D. + 18" | O.D. + 15" | O.D. + 15" |
| TRENCH WIDTH (W SHORING)   | 36"        | O.D. + 24" | O.D. + 30" | O.D. + 30" | O.D. + 36" |